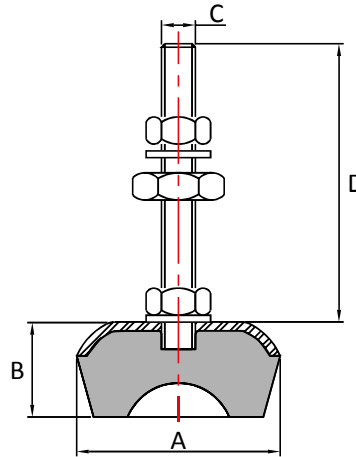


Levelling Feet

Levelling Feet are simple, low cost products suitable for most types of machinery. They allow machinery to be levelled and also provide a degree of vibration and noise reduction. Additional sizes, Stainless Steel Metals, and Oil Resistant/High Temperature rubbers available on request.

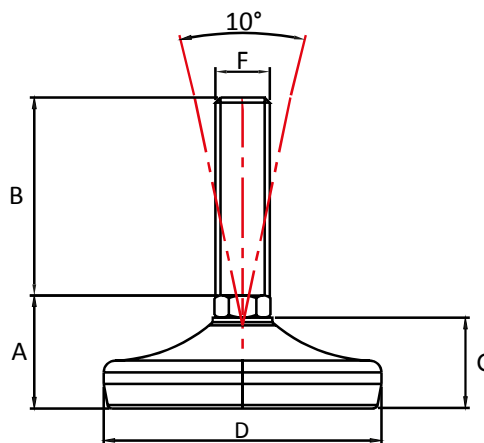
Applications:

- Machine tools
- Lathes; Presses
- Heavy industrial equipment
- Conveyors
- Food processing



| Part No | A | B | C | D | Min Load (kg) | Max Load (kg) |
|-----------|-----|----|-----|-----|---------------|---------------|
| HARFSV000 | 45 | 23 | M8 | 48 | 20 | 80 |
| HARFSV00 | 60 | 28 | M10 | 81 | 60 | 120 |
| HARFSV0 | 70 | 34 | M12 | 89 | 90 | 160 |
| HARFSV1 | 85 | 32 | M12 | 89 | 130 | 350 |
| HARFSV2 | 100 | 40 | M14 | 109 | 270 | 600 |
| HARFSV3 | 120 | 50 | M16 | 116 | 450 | 900 |
| HARFSV4 | 140 | 50 | M16 | 116 | 700 | 1200 |
| HARFSV5 | 160 | 60 | M16 | 116 | 1100 | 1750 |
| HARFSV6 | 180 | 70 | M24 | 138 | 1500 | 2500 |
| HARFSV7 | 205 | 75 | M24 | 138 | 2100 | 3750 |

MACHINERY MOUNTINGS



| Part No | G | B* | F* | D | A | Max Static Load (kg) |
|---------|----|----------------|-----------------|-----|------|----------------------|
| AVLF50 | 19 | min 50-150 max | min M10-M16 max | 50 | 29 | 400 |
| AVLF80 | 25 | min 50-200 max | min M10-M24 max | 80 | 35 | 1000 |
| AVLF100 | 30 | min 75-250 max | min M16-M30 max | 100 | 38.5 | 1500 |
| AVLF120 | 32 | min 75-250 max | min M16-M30 max | 120 | 42.5 | 3000 |

* Available with various thread sizes and lengths

Max compression load in Kg deflection in mm.

This information is for guidance only. Customers are recommended to contact us for further technical information on products and applications. We reserve the right to alter specifications or withdraw products without notice.